



TIGHTNESS CLASS



MATERIAL



BACTERIOSTATIC

Ceiling plenum box – horizontal

VPC125-2

The AWENTA PRO VPC ceiling plenum box (horizontal) is an ultra-lightweight solution for use between a suspended ceiling, a ceiling or wall, and in other confined space locations. Mounting of the box to the surface can be additionally reinforced with a typical KP75-28 bracket (DIM. 75X150) from Awenta's product portfolio. The box allows for connecting a maximum of two Ø75 mm ventilation ducts to a supply or exhaust air valve.

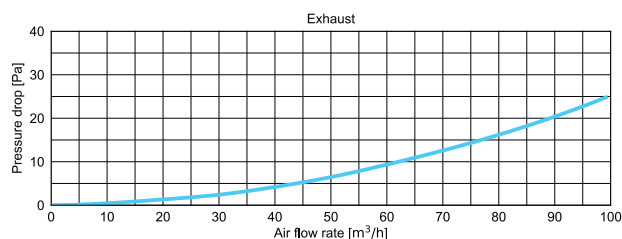
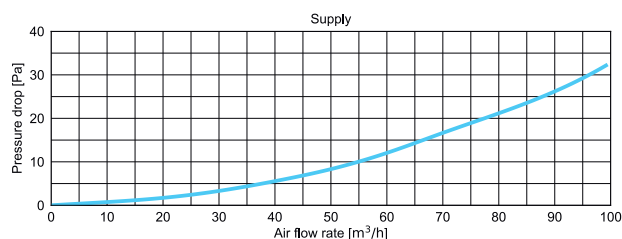
AWENTA PRO plenum boxes are made of durable ABS material. The robust structure guarantees failure-free operation for many years and thanks to the use of a bacteriostatic additive the product has obtained a very high level of bacteriostatic activity. The design of the plenum box allows it to be mounted on different surfaces and in different planes.

The Ø75 mm female connectors are equipped with a gasket and special protection of the connected ducts, which ensures the tightness of the entire system in the high D class.

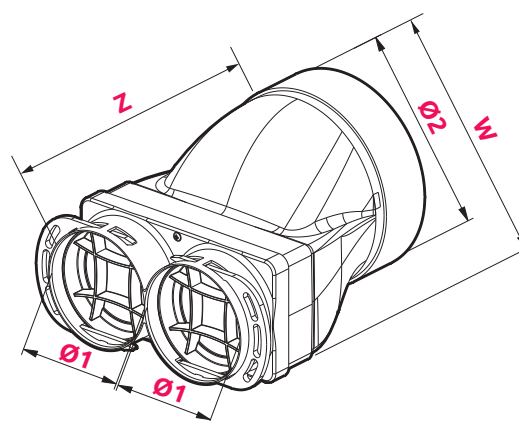
It is possible to install them on floor / wall / ceiling: made of concrete or plasterboard.



AIR FLOW CHARACTERISTICS



DIMENSION



	Ø1	Ø2	Z	W
VPC125-2	75	128	194	134

WITH **NANOSILVER** ADDITIVE
ELIMINATING UP TO 99% BACTERIA

