

# Bypass dampers with actuator mounting

## DATVTML



### Description

The bypass dampers can replace a set of two standard dampers with a T-piece and couplings, which makes the entire assembly 20 to 30% shorter.

The DATVTML damper has a motor operator.

For fast assembly of actuators, we recommend specially designed DA-SUP-S and DA-SUP-M mounting plates.

Actuators matching DA-SUP-S mounting plate	Actuators matching DA-SUP-M mounting plate
Alnor DM-ML-06	Alnor DM-ML-06
Belimo CM	Alnor DM-ML-08
Belimo LM	Belimo CM
	Belimo NM

#### NOTE!

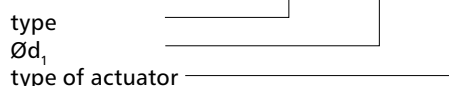
DA-SUP mounting plates are available only in lengthwise version!

#### Available materials — Product code examples

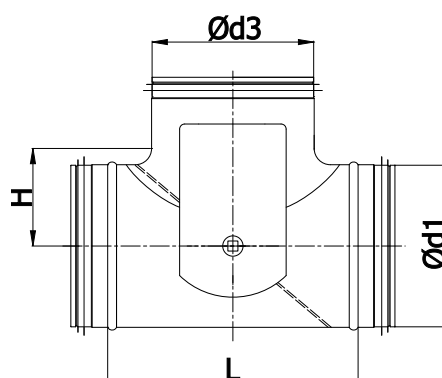
DATVTML-... - galvanized steel sheet  
 DATVTML-K... - 1.4301/304 stainless steel sheet  
 DATVTML-K...-316L - 1.4404/316L stainless steel sheet

#### Product code example

Product code: **DATVTML - aaa - bbb**



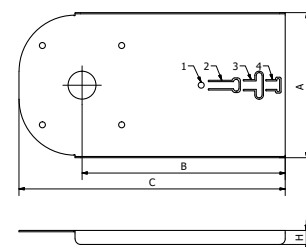
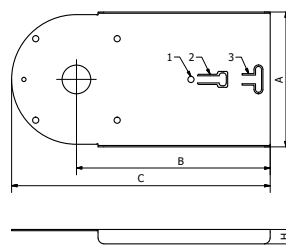
### Dimensions



$\text{Ø}d_{1 \text{ nom}}$ [mm]	$\text{Ø}d_{3 \text{ nom}}$ [mm]	L [mm]	H [mm]	Weight [kg]
100	100	150	65	0.8
125	125	184	83	1.1
160	160	200	105	1.7
200	200	295	125	2.2
250	250	365	150	3.4
315	315	430	182	4.9

**DA-SUP-S mounting plate**  
(up to diameter 315 mm inclusive)

**DA-SUP-M mounting plate**  
(above diameter 315 mm)



DA-SUP-S mounting plate			DA-SUP-M mounting plate		
A [mm]	B [mm]	C [mm]	A [mm]	B [mm]	C [mm]
94	135	182	104	145	190

DA-SUP-S/M mounting plate is mounted lengthwise only!

### Air flow directions

