



**THE EPP FILTER BOX: A  
NEW STANDARD IN  
INLINE AIR FILTRATION**



NEW

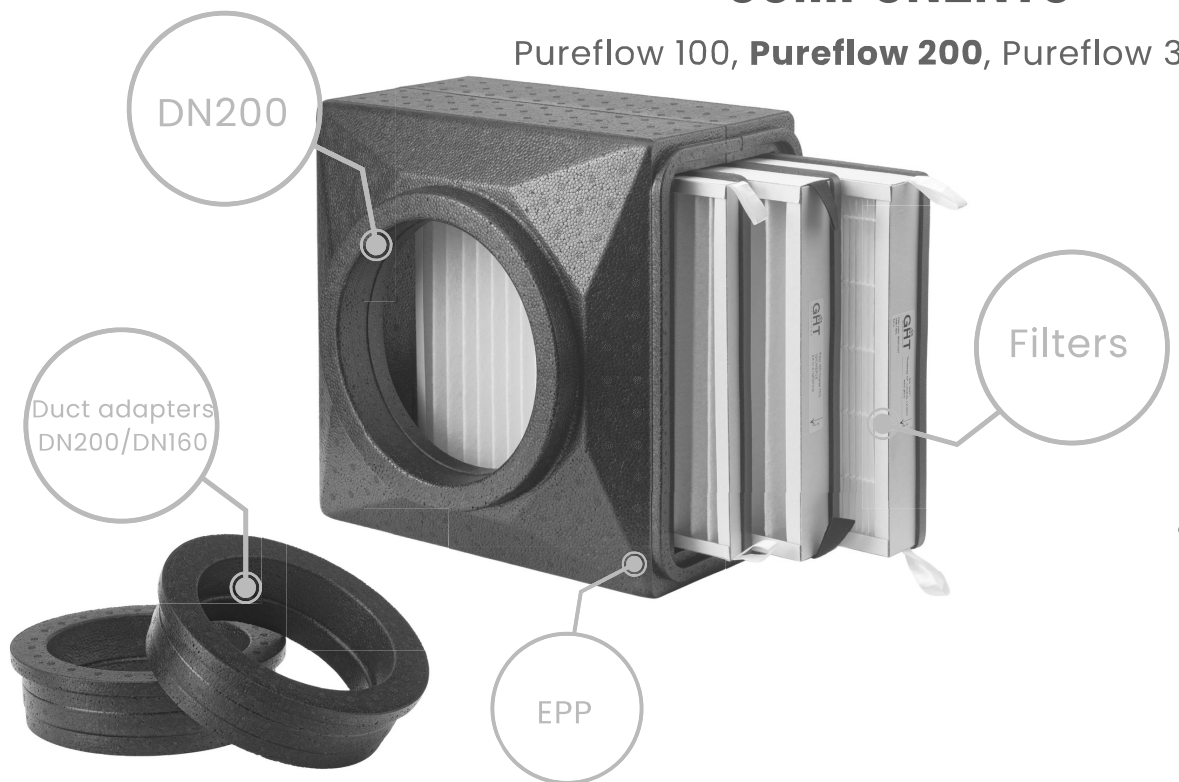
## PRODUCT RANGE



Pureflow 100, **Pureflow 200**, Pureflow 300

# COMPONENTS

Pureflow 100, **Pureflow 200**, Pureflow 300





## KEY FEATURES

Pureflow 100, **Pureflow 200**, Pureflow 300

### Key Features:

- Compatible with DN200 and DN160 (8"/6") duct connections
- Holds up to three filters: ISO Coarse 75% / MERV 8, F7(ePM1 60%)/MERV 13, Carbon 250g F7 (ePM2.5 65%).
- Excellent thermal and sound insulation with EPP material
- Minimal air leakage and pressure drop
- Easy and quick filter replacement (recommended every 3–6 months)
- Suitable for apartments, offices, healthcare facilities, industrial kitchens, and more
- Complies with ISO 16890 standards

## FILTER OPTIONS

Pureflow 100, **Pureflow 200**, Pureflow 300



Filter ISO Coarse 75% / MERV 8 (thickness 25mm)  
set of 2pc



Filter ISO Coarse 75% / MERV 8  
(thickness 48mm)



Filter ePM 1 60% (F7) / MERV 13 (thickness 48mm)



Carbon 250g (8,8 oz) F7 (ePM2.5 65%)  
(thickness 48mm)

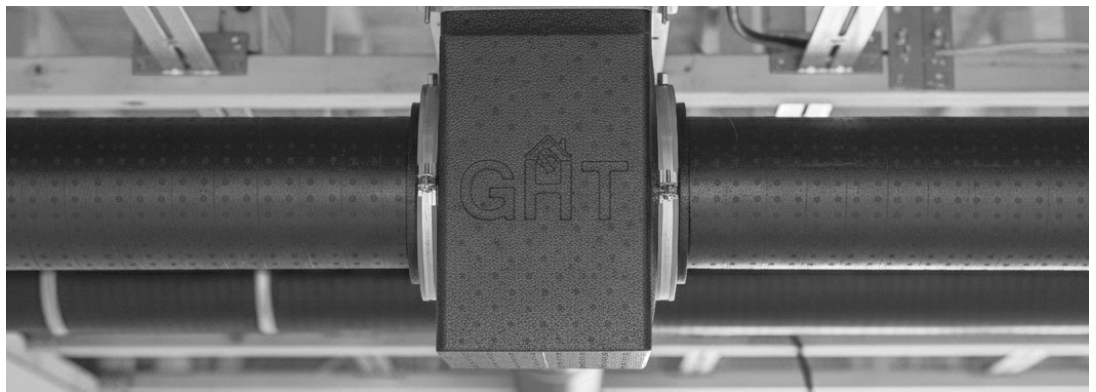


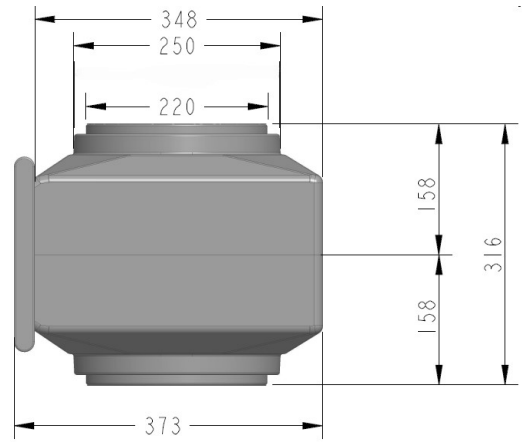
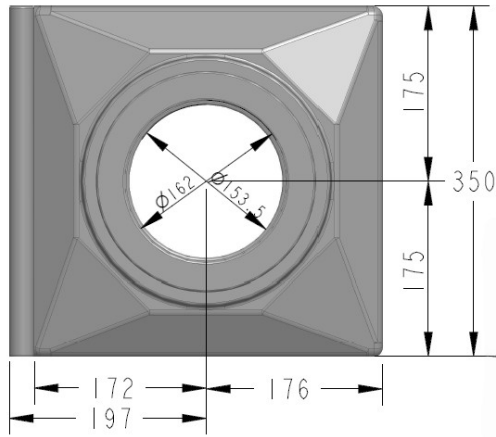
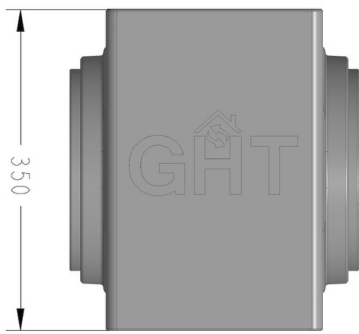
NEW

## APPLICATION

Pureflow 100, **Pureflow 200**, Pureflow 300

Manufactured from expanded polypropylene (EPP), the filter box provides outstanding thermal and sound insulation, requiring no additional insulation and minimizing installation costs. Its lightweight, durable construction makes it perfect for **residential, commercial, healthcare, industrial, transportation** and **Controller Environment Agriculture (CEA)** applications.





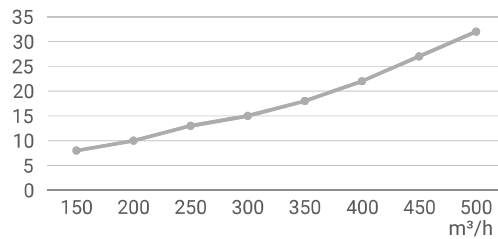
## DIMENSIONS

Pureflow 100, **Pureflow 200**, Pureflow 300

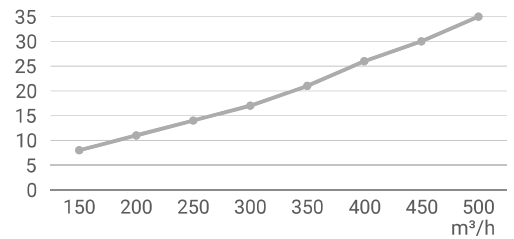
# PRESSURE DROP

Pureflow 100, **Pureflow 200**, Pureflow 300

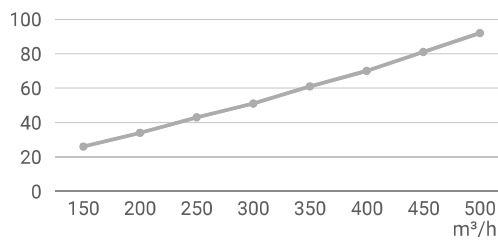
Filter ISO Coarse 75% / MERV 8 (thickness 48mm)



Filter ISO Coarse 75% / MERV 8 (thickness 25mm)



Filter F7 ePM 1 60% / MERV 13 (thickness 48mm)



Carbon 250g F7 (ePM2.5 65%) (thickness 48mm)

