

profi-air® pipe systems

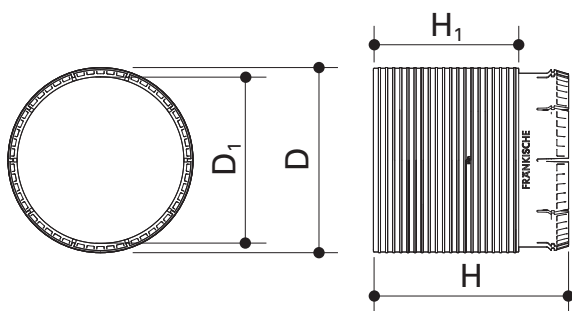
profi-air classic



profi-air classic extension for 90° air outlet plus DN 125

PC/ABS extension for the profi-air classic air outlet plus DN 125. Airtight connection to the air outlet plus DN 125 thanks to the integrated sealing ring.

| Cat. no. | Description | D1 [mm] | D [mm] | H1 [mm] | H [mm] | Weight [kg] | PU [pcs] |
|----------|--------------------------------|------------|-----------|------------|-----------|----------------|-------------|
| 78312086 | for 90° air outlet plus DN 125 | 125 | 129 | 100 | 137 | 0.140 | 1 |



profi-air classic concrete formwork cover plus

PS concrete formwork cover to secure the profi-air 90° air outlet plus on in-situ concrete cladding coverings. Can be mounted using two steel nails included with the delivery.

| Cat. no. | Description | D [mm] | W [mm] | Weight [kg] | PU [pcs] |
|----------|-------------|-----------|-----------|----------------|-------------|
| 78300081 | DN 125 | 125 | 65 | 0.13 | 1 |

