

Metal air supply valve

KN-RM



Description

KN air supply valves can be installed in the ceiling, on the wall or directly in the mouth of a ventilation duct using a dedicated RM mounting frame. They allow smooth adjustment of the air exhaust flow rate by rotating the disk closure in the centre. The air supply flow depends on the disk closure distance from the round bezel and it is set with a locknut. The carefully designed geometry of the valve guarantees low noise level as well as quick and easy installation. The standard air supply valves are supplied with a mounting frame (product code: KN-RM).

Material: steel sheet

Available materials - Product code examples

KN-RM-... - steel sheet, powder-coated finish
high-gloss RAL 9016 white
KN-RM-...- 9010 - steel sheet, powder-coated finish
high-gloss RAL 9010 white

Product code example

Product code: **KN-RM - aaa**

type

Ød

--

Technical specifications

The following performance parameters:

volumetric flow rate, q (l/s or m³/h), total pressure drop, P_t (Pa), and sound pressure level, L_A (dB(A)), can be read from the chart.

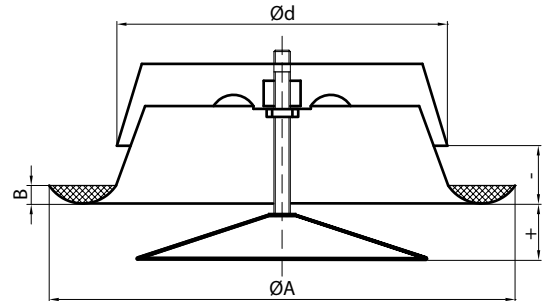
Pressure drop, P_t

The charts show the total pressure drop, P_t (Pa).

Sound pressure level, L_A

The charts show the sound pressure level, L_A (dB(A)). The noise level is shown for the sound insulation level at 4 dB indoors, which corresponds to sound insulation performance in the reverberation zone at the room absorption level for 10 m² according to SABINE's formula.

Dimensions



$\text{Ø}D_{\text{nom}}$ (mm)	$\text{Ø}A$ (mm)	B (mm)	Weight (kg)
80	115	12	0.15
100	137	12	0.19
125	164	12	0.31
150	202	12	0.35
160	212	12	0.47
200	248	12	0.66
250	302	12	0.88

Sound pressure level, L_A (dB(A))

Dimensions (mm)	Mean frequency (Hz)						
	125	250	500	1000	2000	4000	8000
80	6	3	2	1	-4	-16	-20
100	4	3	2	0	-7	-15	-30
125	2	7	3	-2	-10	-20	-32
160	5	7	3	-2	-10	-19	-32
200	8	6	4	-3	-10	-19	-32
250	9	8	6	-4	-12	-20	-33
tolerance	3	2	2	2	2	2	3

Sound insulation level (dB)

Dimensions (mm)	Mean frequency (Hz)							
	63	125	250	500	1000	2000	4000	8000
80	22	19	14	11	2	3	7	8
100	22	16	11	8	6	6	3	6
125	20	15	9	6	4	3	3	5
160	18	13	8	5	4	4	5	6
200	17	11	7	6	6	5	6	6
250	18	12	9	7	7	6	7	5
tolerance	6	3	2	2	2	2	2	3

Air supply valve KN-RM, KN-K-RM

Technical specifications

Selection charts

