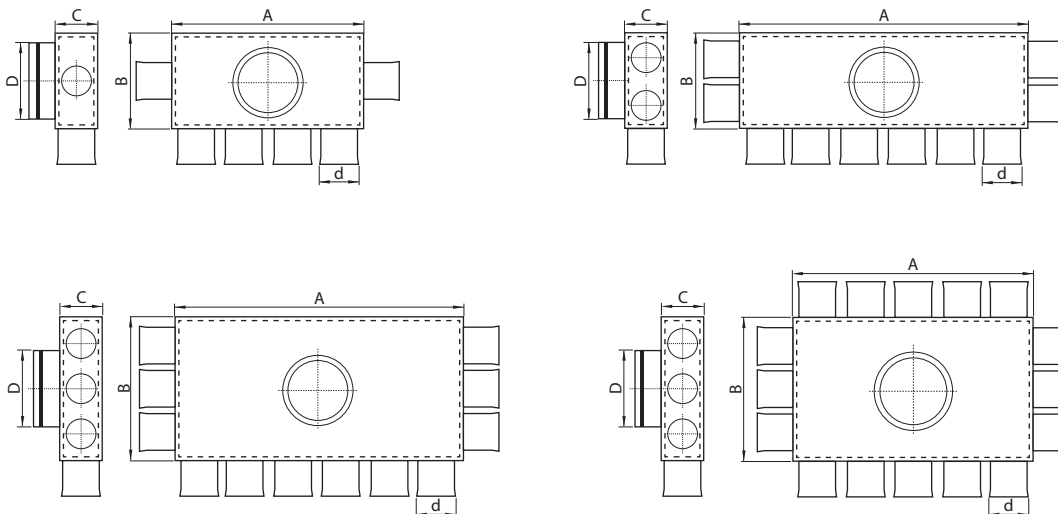
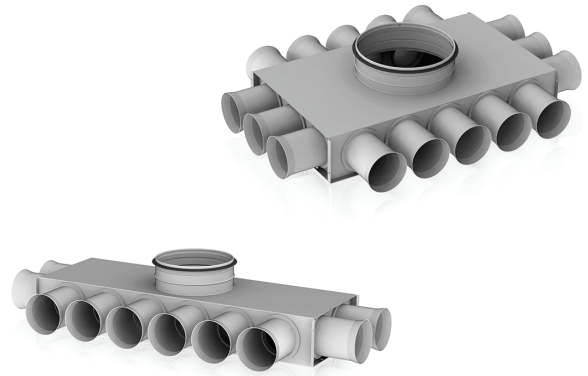


LOK-V

Air distribution box

Air distribution boxes are made from galvanized steel, inside covered with synthetic rubber. Boxes are used to distribute air from air handling unit to 75 mm or 90 mm flexible ducts. Boxes are assembled with perforated panel inside to ensure equal air flow. D – connection diameter. Where flexible ducts and other components are connected, it is highly recommended to use sealing rings.

Main line duct coming from air handling unit are connected vertically with these LOK-V boxes. Boxes are assembled with plastic PAT-75 connections. On demand PAT-75 can be changed to PAT-90.



Model	Dimensions, mm					Code
	D	d	A	B	C	
LOK-V-160-75-1-4-1	160	75	400	200	90	709000069
LOK-V-160-75-2-6-2	160	75	600	200	90	709000070
LOK-V-160-75-3-6-3	160	75	600	300	90	709000071
LOK-V-200-75-3-5-3-5	200	75	500	300	90	709000072