

RHP 400 V C5

| | |
|---|------------|
| Nominal air flow, m ³ /h | 392 |
| Nominal air flow, l/s | 111 |
| Panel thickness, mm | 30/50 |
| Unit weight, kg | 106 |
| Supply voltage, V | 1~230 |
| Maximal operating current, A | 7,7 |
| Filters dimensions B×H×L, mm | 462×200×46 |
| Electric power input of the fan drive at maximum flow rate, W | 103 |
| Electric air heater capacity, kW / Δt, °C | 1/7 |
| Refrigerant R134 A, kg | 1,1 |
| Maintenance space, mm | 720 |
| Control system | C5 |



Acoustic data

A-weighted sound power level L_{WA} , dB(A)
at reference flow rate

| | |
|----------------|----|
| Supply inlet | 59 |
| Supply outlet | 74 |
| Exhaust inlet | 59 |
| Exhaust outlet | 74 |
| Casing | 54 |

A-weighted sound pressure level L_{pA} , dB(A)

10 m² normally isolated room, distance from casing – 3 m.

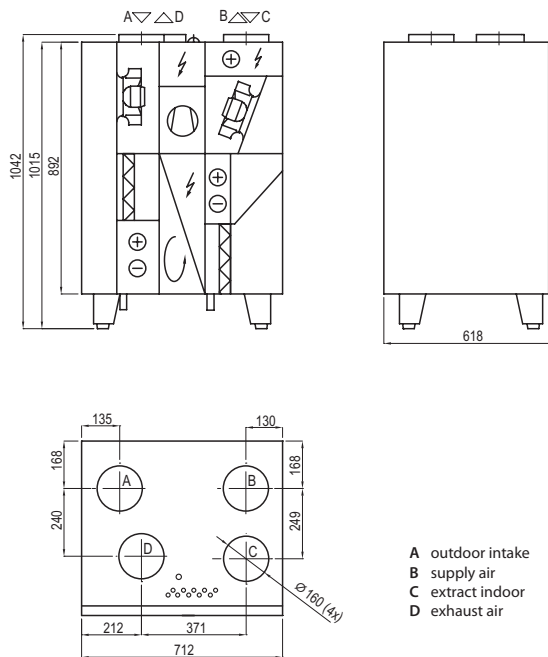
| | |
|--------------|----|
| Surroundings | 44 |
|--------------|----|

Temperature efficiency

| Outside temperature, °C | Winter | | | | | Summer | | |
|--------------------------|--------|------|------|------|------|--------|------|------|
| | -23 | -15 | -10 | -5 | 0 | 25 | 30 | 35 |
| After heat exchanger, °C | 11,2 | 13,2 | 14,4 | 15,5 | 16,7 | 22,7 | 23,9 | 25,1 |

indoor +22°C, 20 % RH.

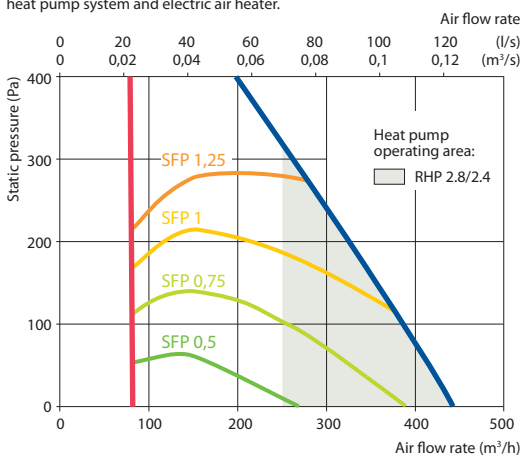
Shown as right (R1)



The unit is available only right inspection side.

Performance

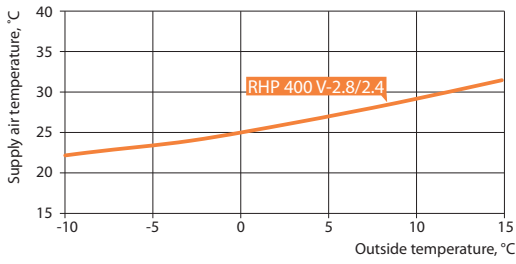
Filter M5, rotary heat exchanger L, heat pump system and electric air heater.



Accessories

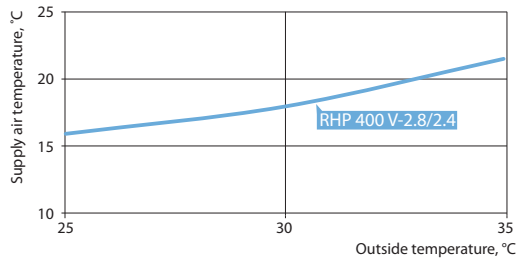
| | |
|----------------|----------------------|
| Closing damper | AGUJ-M-160+LF24/LM24 |
| Silencer | A/D AGS-160-50-600-M |
| | B/C AGS-160-50-900-M |

Heating mode



Application: 20°C, RH 45% indoor.

Cooling mode



Application: 24°C, RH 55% indoor
Total (heating and cooling) – rotary heat recovery + heat pump.

Heat pump parameters

| | RHP 400 V-2.8/2.4 | | | | |
|---|-------------------|------|------|---------|------|
| | Heating | | | Cooling | |
| Outdoor temperature, °C | 7 | 2 | -7 | 35 | 27 |
| Outdoor air related humidity, % | 86 | 84 | 74 | 40 | 45 |
| Indoor air temperature, °C | 20 | 20 | 20 | 27 | 21 |
| Indoor air related humidity, % | 50 | 50 | 45 | 40 | 50 |
| Supply air temperature, °C | 28,2 | 26,3 | 22,4 | 19,1 | 13,9 |
| Heat pump heating/cooling power, kW | 1,5 | 1,4 | 1,18 | 1,97 | 1,85 |
| Heat pump heating/cooling power consumption, kW | 0,45 | 0,42 | 0,37 | 0,49 | 0,42 |
| System SCOP ^{1,2,3} , Average climate / System SEER ^{1,2,3} | 7,2 | | | 3,45 | |
| COP/EER | 3,35 | 3,28 | 3,20 | 3,07 | 3,38 |

¹ Rotary heat exchanger wave size "L"

² Rotary heat exchanger + heat pump

³ According to EN 14825 standard