

# RHP 1300 U C5

Nominal air flow, m <sup>3</sup> /h	1200
Nominal air flow, l/s	333
Panel thickness, mm	50
Unit weight, kg	260
Supply voltage, V	3~400
Maximal operating current, A	18,2 (RHP 8.1/6.6)
Maximal operating current, A	20,5 (RHP 9.2/7.6)
Filters dimensions BxHxL, mm	750x400x46
Electric power input of the fan drive at maximum flow rate, W	253
Electric air heater capacity, kW / Δt, °C	2/4,6
Refrigerant R134 A, kg	3,1
Maintenance space, mm	800
Control system	C5



## Acoustic data

A-weighted sound power level  $L_{WA}$ , dB(A)  
at reference flow rate

Supply inlet	64
Supply outlet	78
Exhaust inlet	64
Exhaust outlet	76
Casing	56

A-weighted sound pressure level  $L_{pA}$ , dB(A)

10 m<sup>2</sup> normally isolated room, distance from casing – 3 m.

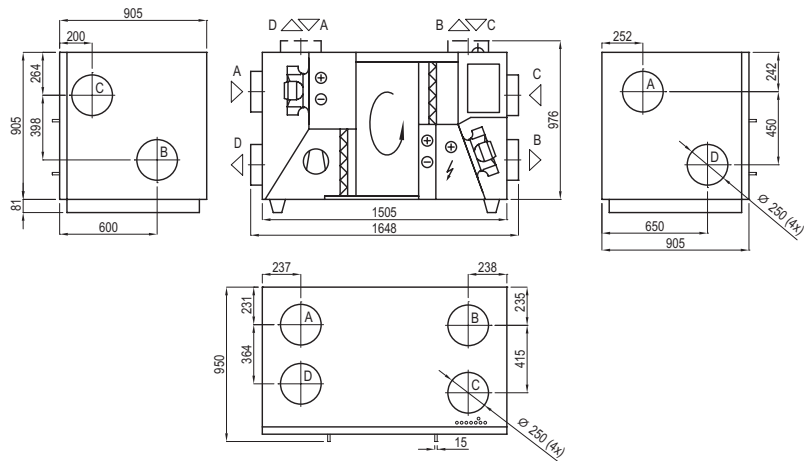
Surroundings	45
--------------	----

## Temperature efficiency

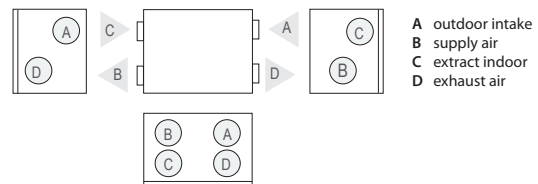
Outside temperature, °C	Winter					Summer		
	-23	-15	-10	-5	0	25	30	35
After heat exchanger, °C	14,5	15,8	16,7	17,5	18,3	22,5	23,3	24,2

indoor +22°C, 20 % RH.

Shown as right (R1)



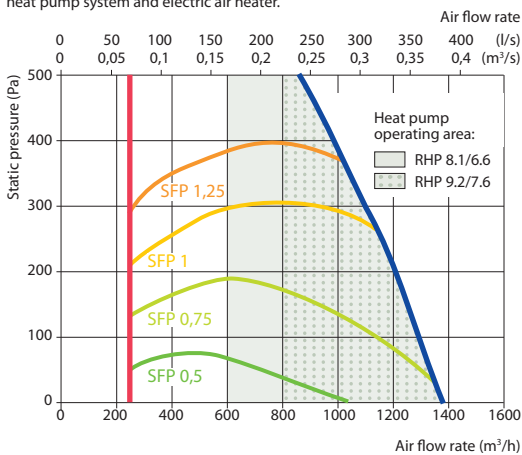
Shown as left (L1)



- A outdoor intake
- B supply air
- C extract indoor
- D exhaust air

## Performance

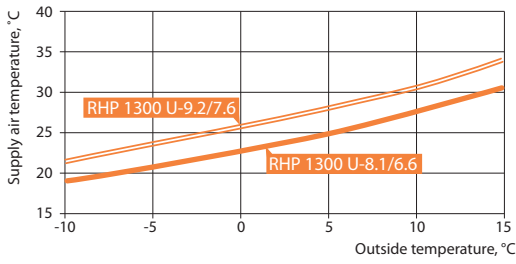
Filter M5, rotary heat exchanger L, heat pump system and electric air heater.



## Accessories

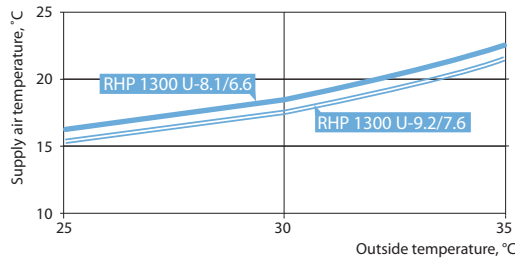
Closing damper	AGUJ-M-250-LF24/LM24
Silencer	A/D AGS-250-50-600-M
	B/C AGS-250-50-900-M

**Heating mode**



Application: 20 °C, RH 45% indoor.

**Cooling mode**



Application: 24 °C, RH 55% indoor.  
Total (heating and cooling) – rotary heat recovery + heat pump.

**Heat pump parameters**

	RHP 1300 U-8.1/6.6					RHP 1300 U-9.2/7.6				
	Heating			Cooling		Heating			Cooling	
Outdoor temperature, °C	7	2	-7	35	27	7	2	-7	35	27
Outdoor air related humidity, %	86	84	74	40	45	86	84	74	40	45
Indoor air temperature, °C	20	20	20	27	21	20	20	20	27	21
Indoor air related humidity, %	50	50	45	40	50	50	50	45	40	50
Supply air temperature, °C	26,4	24,6	21,3	19,7	13,8	28,5	26,4	22,9	18,5	13,1
Heat pump heating/cooling power, kW	3,69	3,4	2,8	3,67	3,57	4,55	4,13	3,46	4,4	4,36
Heat pump heating/cooling power consumption, kW	0,8	0,69	0,7	0,94	0,84	1,15	1,09	0,92	1,37	1,2
System SCOP <sup>1,2,3</sup> , Average climate / System SEER <sup>1,2,3</sup>	12,9			4,65		9,6			4,62	
COP/EER	4,43	4,91	3,89	3,98	5,10	3,83	3,7	3,75	3,42	3,69

<sup>1</sup> Rotary heat exchanger wave size "L"  
<sup>2</sup> Rotary heat exchanger + heat pump  
<sup>3</sup> According to EN 14825 standard